

CEILING SYSTEMS

Between us, ideas become reality™

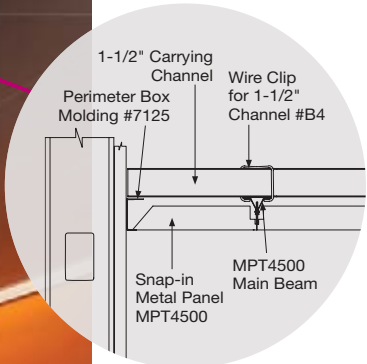
METALWORKS™
Snap-in

Armstrong®

METALWORKS™ Snap-in

Concealed Suspension

smooth texture



Visit Armstrong.com
Photo Gallery to view more
installation photos
SEARCH: metalworks snap-in

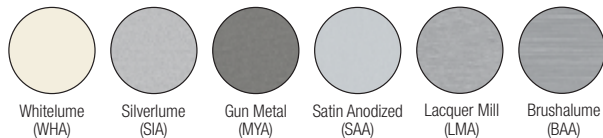
MetalWorks Snap-in 20" x 60" with M16 perforation in Silverlume on Prelude® 15/16" suspension system

KEY SELECTION ATTRIBUTES

- Clean, monolithic concealed appearance
- Low-cost concealed suspension solution
- Use on a lower clearance plenum (as low as 2") when MPT snap bar is attached directly to the deck
- Downward accessible (with panel removal tool)
- Nine standard finishes and six standard perforations available to enhance design aesthetics and acoustical performance
- NRC values up to 0.90 with fiberglass infill panels
- Laminate finishes provide superior wood-look visual with printed vinyl bonded to aluminum; visuals other than the ones shown are also available
- Durable – Washable, Scrubbable, Impact-resistant, Soil-resistant
- Up to 98% recycled content aluminum
- Additional sizes, colors, and perforations available. For more information, visit our web site at armstrong.com/metalworks or call 1 877 ARMSTRONG and select options 1-1-4 to work with the Architectural Specialties project management team

COLOR SELECTION Due to printing limitations, shade may vary from actual product.

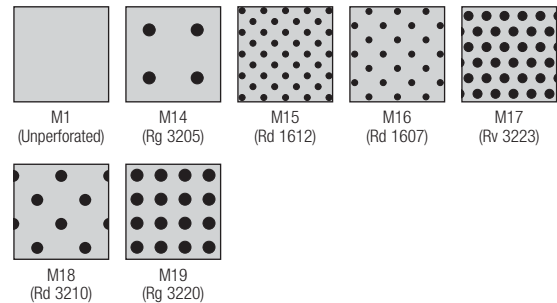
MetalWorks



Reflections™ Laminate Finishes



PERFORATION OPTIONS (1:2 scale shown)



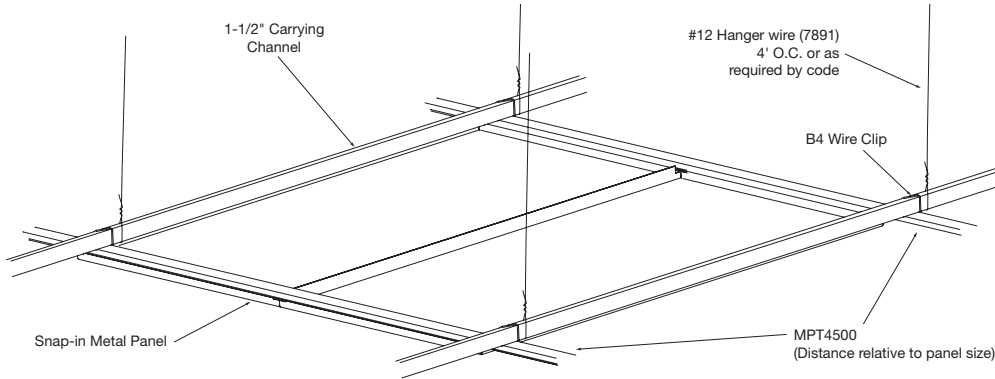
Additional sizes, laminates, colors, and perforations available. For more information, visit our web site at armstrong.com/metalworks or call 1 877 ARMSTRONG and select options 1-1-4 to work with the Architectural Specialties project management team.

METALWORKS™ Snap-in

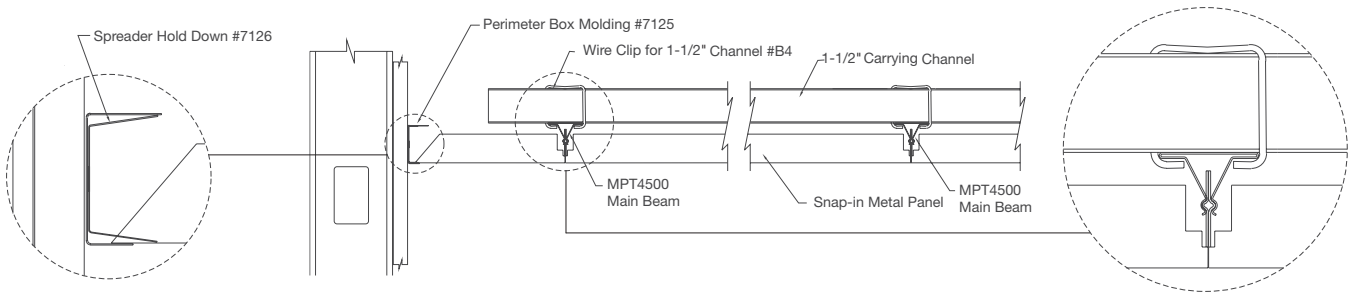
Concealed Suspension

smooth texture

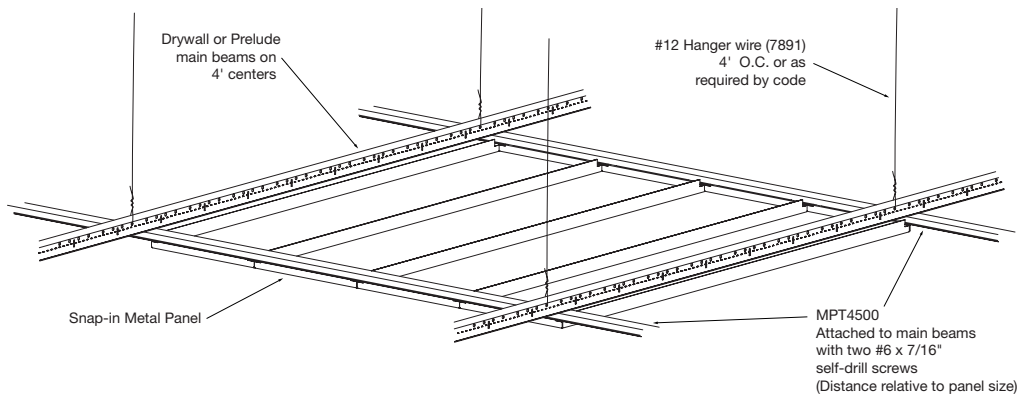
INSTALLATION DETAIL – MetalWorks Snap-in on 1-1/2" Carrying Channel



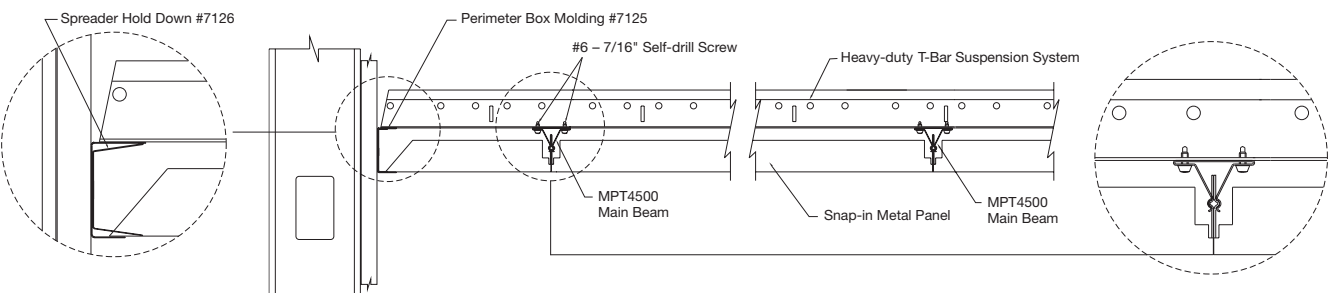
Perspective detail of MetalWorks Snap-in ceiling installed on 1-1/2" carrying channel



INSTALLATION DETAIL – MetalWorks Snap-in on T-Bar Suspension System



Perspective detail of MetalWorks Snap-in ceiling installed on 15/16" T-Bar suspension system



Section detail of MetalWorks Snap-in ceiling installed on 15/16" T-Bar suspension system



METALWORKS™ Snap-in

Concealed Suspension

smooth texture

UP TO **98%** RECYCLED CONTENT

LEED®

- acoustics
- energy
- daylight & views
- indoor air quality
- renewable materials
- recycled content
- waste mgmt
- local materials

Calculate LEED contribution at armstrong.com/greengenie

*LOCATION DEPENDENT

VISUAL SELECTION

PERFORMANCE

Dots represent high level of performance.

ACOUSTICAL INFORMATION

Edge Profile	Item Number*	Dimensions (Inches)	Perforations	Light Reflect	Durable			
					Wash	Scrub	Impact	Soil
METALWORKS Snap-in (with acoustical fleece)								
Snap-in	7216 _____	12 x 48"	M1; M14-19	0.77 (M1)	•	•	•	•
Square 15/16"	7215 _____	24 x 24"	M1; M14-19	0.77 (M1)	•	•	•	•
	7217 _____	24 x 48"	M1; M14-19	0.77 (M1)	•	•	•	•
	7219 _____	30 x 30"	M1; M14-19	0.77 (M1)	•	•	•	•

*When specifying or ordering, include the appropriate perforation and color suffix with the item number (e.g., 7215 M14 LMA).

EXAMPLE:



Perforation	NRC with acoustical fleece**	NRC with 1" fiberglass infill panel**
	NRC	NRC
M1	-	-
M14	0.55	0.85
M15	0.70	0.90
M16	0.70	0.80
M17	0.75	0.90
M18	0.65	0.85
M19	0.75	0.90

** Maximum NRC achieved with acoustical infill (item 8200100 or 5823). For additional infill panel options, refer to catalog pgs. 101-102.

ACCESSORIES

Item Number	Description	Dimensions (Inches)	Color	Pieces/Carton
7125 ___	Box Molding	2 x 96 x 1.5"	WHA, SIA, MYA, SAA, LMA, BAA, BL	10
7126	Spreader Hold Down	1 x 10-5/8 x 1-1/2"	N/A	10
5823	BioAcoustic™ Infill Panel	24 x 24 x 5/8"	Black	12
8200100	1" Fiberglass Infill Bag	24 x 24 x 1"	Black (Gloss)	12
7127	Snap-in Access Tool	N/A	N/A	1

COLORS AND PERFORATIONS

Whitelume (WHA)	Satin Anodized (SAA)	Arctic Maple (LAM)	Light Cherry (LLC)	Wild Cherry (LWC)	M1 (Unperforated)	M16 (Rd 1607)	M19 (Rg 3220)
Silverlume (SIA)	Lacquer Mill (LMA)	Natural Maple (LNMPIE)	Natural Oak (LNOIE)	Mineral Forest (LMF)	M14 (Rg 3205)	M17 (Rv 3223)	
Gun Metal (MYA)	Brushalume (BAA)	Rock Maple (LRM)	Pecan (LPC)	Walnut (LWN)	M15 (Rd 1612)	M18 (Rd 3210)	

SUSPENSION SYSTEMS

15/16" Prelude® XL® Main Beams (See catalog pg. 259 for components.); 1-1/2" Drywall Grid Main Beams (See catalog pg. 300 for components.)

Item Number	Description	Dimensions (Inches)	Color	Pieces/Carton
1-1/2" Carrying Channel	Supplied by others	-	-	-
MPT4500	Spring Tee (Snap Bar) (cross tee optional but recommended)	-	N/A	25
B4	Wire Clip 1-1/2" Channel	-	N/A	1,000
7132	Snap Bar Hanger	3-1/4 x 5"	N/A	100
7133	Snap Bar Miser Clip	3-1/4 x 4-7/16"	N/A	100
S45	Splice for Metal Pan Main Beam	12"	N/A	250

PHYSICAL DATA

Material
Aluminum – thickness 0.040"

Surface Finish
Laminates: Vinyl-faced membrane
Painted finishes: Factory-applied polyester paint

Fire Performance
Painted aluminum finishes tested per ASTM E84.
Flame Spread Index 25 or less. Smoke Developed Index 50 or less.

Laminate finish tested per ASTM E84. Flame Spread Index 75 or less. Smoke Developed Index 450 or less.

ASTM E1264 Classification
Fire Class A – Painted
Fire Class B – Laminates

Acoustical Options

Perforated panels are supplied with a black fiberglass fleece to absorb sound.

Recycled Content

Minimum 25%. Up to 98% recycled content available.

Design Consideration

Anodized and Lacquer Mill finishes may vary in shade between production runs and over time.

Design Support

Project management assistance is available by calling 1 877 ARMSTRONG, options 1-1-4 to work with the Architectural Specialties project management team.

Seismic Restraint

This product is not recommended for seismic areas. Use MetalWorks Torsion Spring or Vector® panels in seismic conditions.

Warranty

Warranty details at armstrong.com/warranty

Weight; Square Feet/Carton
0.69 lbs/SF



TechLineSM / 1 877 ARMSTRONG
1 877 276 7876

armstrong.com/metalworks
BPCS-4445-314

LEED® is a registered trademark of the U.S. Green Building Council
All other trademarks used herein are the property of AWI Licensing Company and/or its affiliates
© 2014 AWI Licensing Company • Printed in the United States of America

