

# METALWORKS™ SecureLock™

Lay-in  
smooth texture



MetalWorks SecureLock 2' x 2' panel with P4 perforation in White

## Key Selection Attributes

- Tamper-resistant ceiling
- 18-gauge galvanized steel panels for added strength and durability
- Point load tested to withstand up to 850 lbs and a minimum of 430 lbs
- Concealed locking
- Durable – Washable, scrubbable, soil resistant
- Good NRC (0.80) with perforated panels and acoustical infill
- Installs on a heavy-duty Armstrong suspension system
- Protection against contraband concealment
- Stainless steel panels and suspension available



MetalWorks SecureLock Plus Plank  
Unperforated in White

## Typical Applications

- Correctional facilities – jails, detention centers, prisons
- Judicial facilities/courthouses
- Non-accessible areas
- Healthcare – psychiatric and juvenile wards
- Transportation
- Retail and hospitality
- Education

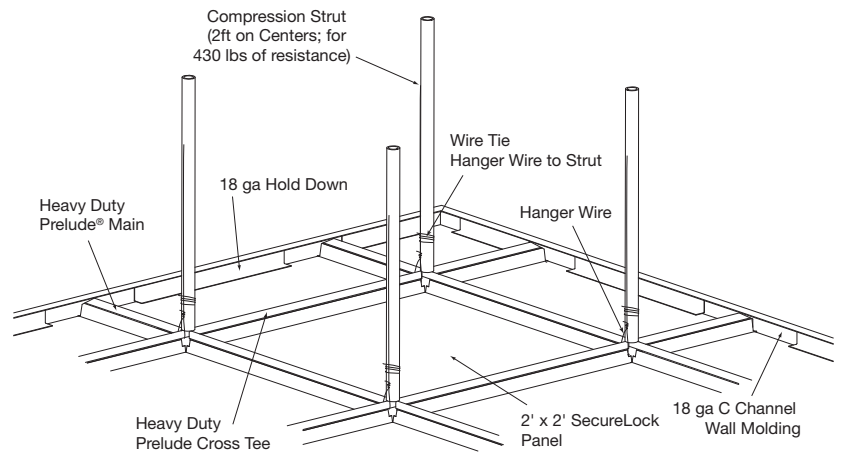
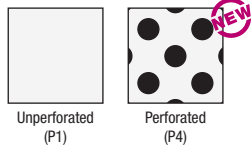
## Color Selection

Due to printing limitations, shade may vary from actual product.



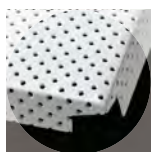
\* Premium finish options

## Perforation Options (Actual 1:1 scale shown)



Note: Drawing details may vary. Refer to installation instructions (LA-297578) for specific details on how to install the panel system.

## Detail



MetalWorks SecureLock  
Perforated

In addition to these standard options, there are custom colors, perforations and sizes available. Contact the Armstrong Architectural Specialties project management team for details at 1 877 ARMSTRONG and select options 1-1-4.



# METALWORKS™ SecureLock™

Lay-in  
smooth texture

Recycled Content: 30%

armstrong.com/greengenie

## LEED® Credits

Energy	Waste Mgmt	Recycled Content	Local Materials	Renewable Materials	Daylight & Views	Acoustics	Low Emitting or CHPS
✓	✓	✓	Location Dependent			✓	✓

## LEED for Schools

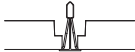

## Colors and Perforations

White (WH)	Unperforated (P1)
Silver Grey (SG)♦	Perforated (P4)
Gun Metal Grey (MY)♦	

## Visual Selection

## Performance Selection

Dots represent highest level of performance.

Edge Profile	Item Number	Dimensions	Acoustics		Fire Rating	Light Reflect	Durable		
			NRC	CAC			Wash	Scrub	Soil
<b>METALWORKS SecureLock Unperforated</b>									
15/16" Lay-in 	5488P1WH	2' x 2'	–	36	Class A	0.77	•	•	•
<b>METALWORKS SecureLock Perforated</b>									
15/16" Lay-in 	5488P4WH	2' x 2'	0.10 0.80**	38*	Class A	0.61	•	•	•

♦ Silver Grey and Gun Metal Grey are available as premium options. Custom RAL colors are also available. Contact Architectural Specialties for more information at 1 877 Armstrong and select options 1-1-4.

\* With optional field-cut #747 mineral fiber backing (cannot be used with fiberglass infill #8200100)

\*\* NRC 0.80 (microperforated) with optional fiberglass infill #8200100 (cannot be used with #747 mineral fiber backing)

Note: 2' x 4' panels available by contacting Architectural Specialties at 1 877 Armstrong and select options 1-1-4.

## Suspension System

15/16" Standard: Prelude® XL® items: 7301 – 12' HD Main Beam, XL8320 – 2' Cross Tee

## Accessories

Item Number	Description	Dimensions	Pcs/Carton
5396	2' x 2' Hold Down Border Clips – 18ga	22-1/8"	Bulk
5398WH	Access Door – 18ga	2' x 2' x 1"	Bulk
5594	Compression Strut	–	Bulk
5596	Security Screws	–	100
5597	Security Srewdriver (to be used with item 5596)	–	Bulk
5598	Tek Screws	–	100
5650WH	C Channel – 18ga	120"	Bulk
5965P1WH	2' x 2' Exit Panel Unperforated	2' x 2' x 1"	8
5965P4WH	2' x 2' Exit Panel Perforated	2' x 2' x 1"	8
8200100	1" Fiberglass Infill Panel	2' x 2' x 1"	12

## Physical Data

### Material

Electrogalvanized Steel – thickness 18 ga.

### Surface Finish

Factory-applied powder-coated finish (post-coated)

### Fire Performance

ASTM E84 surface burning characteristics. Flame Spread Index 25 or less. Smoke Developed Index 50 or less. Fire Class A per ASTM E1264.

### Backloading Recommendation

Contact TechLine for specific information

### Warranty

One (1) year limited warranty.  
Details: armstrong.com/warranty

### Design/Installation Considerations

Panels installed in correctional facilities are recommended for supervised areas. For detailed impact and point load test results, contact TechLine.

### Weight; Square Feet/Carton

5488P1WH – 2.24 lbs/SF; 32 SF/ctn  
5488P4WH – 1.97 lbs/SF; 32 SF/ctn

TechLine<sup>SM</sup> / 1 877 ARMSTRONG  
1 877 276 7876

armstrong.com/metalworks  
CS-4204-510

LEED® is a registered trademark of the U.S. Green Building Council  
All other trademarks used herein are the property of AWI Licensing Company and/or its affiliates  
© 2010 AWI Licensing Company • Printed in the United States of America

