

**CEILING&WALL** SYSTEMS

Between us, ideas become reality™

**METALWORKS™** Linear  
and Linear Exterior



# METALWORKS™ Linear & Linear Exterior

smooth texture



MetalWorks Linear 8" Faceted System Microperforated in Silver Grey  
Unilever Food Solutions, Lisle, IL

## Key Selection Attributes

- Nominal 4", 8", and 12" wide panels, including nominal 1" reveal
- Acoustical options with microperforated panels
- Available in three colors and four Effects™ Wood Looks finishes
- Install in the ceiling, on the wall, or create 90° angled or curved ceiling-to-wall transitions
- Fast and easy installation
- Durable - Washable, Scrubbable, Impact-resistant, Soil-resistant
- Available for exterior applications, tested to meet wind uplift Classes 30, 60, and 90
- For custom color options, call the Architectural Specialties Project Management Team at 1 877 ARMSTRONG and select options 1-1-4



MetalWorks Linear 4" System for Exterior Applications in White  
Dallas Love Field Airport, Dallas, TX

## Color Selection Due to printing limitations, shade may vary from actual product.



White Exterior (WH2)    Silver Grey Exterior (SG2)\*    Gun Metal Grey Exterior (MY2)\*

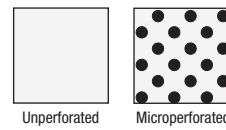


Effects Maple Exterior (FXMP2)\*    Effects Cherry Exterior (FXCH2)\*    Effects Dark Cherry Exterior (FXDC2)\*    Effects Walnut Exterior (FXWN2)\*

\* Premium option

## Perforation Options

(Actual 1:1 scale shown)



Pictured on cover: MetalWorks Linear Faceted System 12" in Effects Cherry  
Kingswood Arts Center, Wolfeboro, NH

Due to the non-standard suspension system of this product, call 1 877 ARMSTRONG and select options 1-1-4 to order this product through Architectural Specialties.

# METALWORKS™ Linear & Linear Exterior

smooth texture

Recycled Content: 25%

armstrong.com/greengenie

## LEED® Credits

Energy	Waste Mgmt	Recycled Content	Local Materials	Renewable Materials	Daylight & Views
✓	✓	✓	✓	✓	✓
Location Dependent					

## LEED for Schools

Acoustics	Low Emitting or GHPS
✓	✓

## Colors

White (WH)	Effects™ Maple (FXMP)	White Exterior (WH2)	Effects Maple Exterior (FXMP2)
Silver Grey (SG)	Effects Cherry (FXCH)	Silver Grey Exterior (SG2)	Effects Cherry Exterior (FXCH2)
Gun Metal Grey (MY)	Effects Dark Cherry (FXDC)	Gun Metal Grey Exterior (MY2)	Effects Dark Cherry Exterior (FXDC2)
	Effects Walnut (FXWN)		Effects Walnut Exterior (FXWN2)

## Visual Selection

## Performance Selection Dots represent highest level of performance.

Item Number*	Description	Dimensions Nominal L x W x H	Acoustics	Fire Rating	Light Reflect (White only)	Durable			
			NRC 						
5490_ _ _ _ _	4" Unperforated	96" x 4" x 5/8"	N/A	Class A	0.77	•	•	•	•
5491_ _ _ _ _	8" Unperforated	96" x 8" x 5/8"	N/A	Class A	0.77	•	•	•	•
5570_ _ _ _ _ †	12" Unperforated	96" x 12" x 5/8"	N/A	Class A	0.77	•	•	•	•
5492_ _ _ _ _	4" Microperforated (with plain border and acoustical fleece)	96" x 4" x 5/8"	0.70 0.85* •	Class A	0.61	•	•	•	•
5493_ _ _ _ _	8" Microperforated (with plain border and acoustical fleece)	96" x 8" x 5/8"	0.70 0.85* •	Class A	0.61	•	•	•	•
5571_ _ _ _ _ †	12" Microperforated (with plain border and acoustical fleece)	96" x 12" x 5/8"	0.70 0.85* •	Class A	0.61	•	•	•	•

◆ When specifying or ordering, include the appropriate two-, four-, or five-letter color suffix (e.g., 5490WH, 5492FXCH, 5491FXDC2).

† 12" panels are "S" Service items with minimum order quantities and extended lead times.

\* NRC 0.85 with optional fiberglass infill. For acoustical infill panel information, see page 71.

Note: Silver Grey (SG), Gun Metal Grey (MY), and Effects colors are available as "S" Service items with minimum order quantities and extended lead times.

## Suspension System

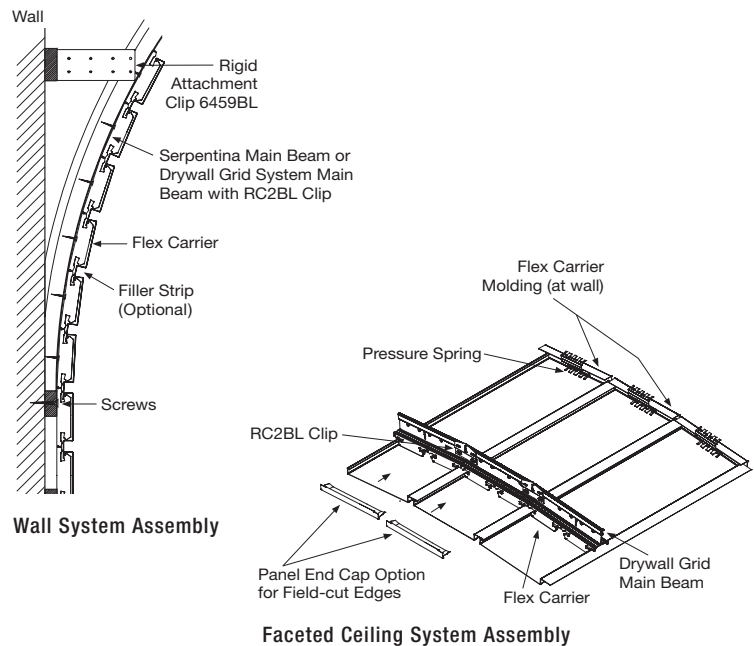
Item Number	Description	Dimensions Nominal L x W x H	Pieces/ Carton
5497	Standard Carrier	144" x 1-5/8" x 1-5/8"	10
5498	Flex Carrier	144" x 1-5/8" x 1"	10
5499	Carrier Splice	4" x 1-1/2" x 5/8"	50
5580	Carrier Hanger	2-1/4" x 3" x 1"	20

Note: Due to the non-standard suspension system of this product, call 1 877 ARMSTRONG and select options 1-1-4 to place an order with the Architectural Specialties Project Management Team.

## Installation Details



MetalWorks Linear 4" Ceiling and Wall Systems in White;  
Dallas Love Field, Dallas, TX



# METALWORKS™ Linear & Linear Exterior

smooth texture

## Colors

White (WH)	Effects™ Maple (FXMP)	White Exterior (WH2)	Effects Maple Exterior (FXMP2)
Silver Grey (SG)	Effects Cherry (FXCH)	Silver Grey Exterior (SG2)	Effects Cherry Exterior (FXCH2)
Gun Metal Grey (MY)	Effects Dark Cherry (FXDC)	Gun Metal Grey Exterior (MY2)	Effects Dark Cherry Exterior (FXDC2)
	Effects Walnut (FXWN)		Effects Walnut Exterior (FXWN2)

## Accessories

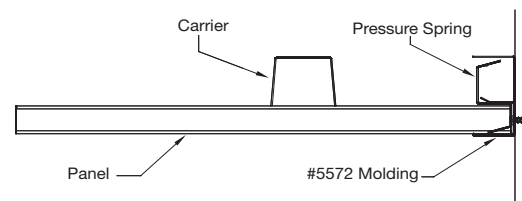
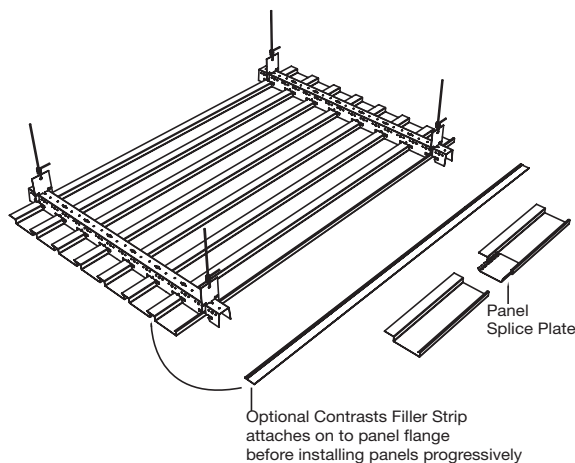
Item Number ♦	Description	Dimensions Nominal L x W x H	Pieces/ Carton
5494	Contrasts Filler Strip	96" x 1-1/4" x 1/16"	16
5495	4" Panel Splice	4" x 3-1/4" x 9/16"	50
5496	8" Panel Splice	4" x 7-1/4" x 9/16"	50
5499	Carrier Splice	144" x 1-5/8" x 1"	50
5580	Carrier Hanger	2-1/4" x 3" x 1"	20
5576	Pressure Spring	2-1/2" x 1-3/16" x 7/8"	50
5581 _____ †	4" Panel End Cap	3-1/4" x 5/8" x 1"	50
5582 _____ †	8" Panel End Cap	7-1/4" x 5/8" x 1"	50
5583 _____ †	12" Panel End Cap**	11-1/4" x 5/8" x 1"	50
5572 _____ †	Standard Carrier Molding	120" x 1" x 1-7/8"	10
5574 _____ †	Flex Carrier Molding	120" x 1" x 1"	10
6351	Speed Clip	1/4" x 1/2" x 1/8"	Bulk
5823	BioAcoustic™ Infill Panel (Black Matte)	2' x 2' x 5/8"	12
8200100	1" Fiberglass Infill Bag (Black Gloss)	2' x 2' x 1"	12

♦ When specifying or ordering, include the appropriate two- or four-letter color suffix (e.g., 5581FXCH).

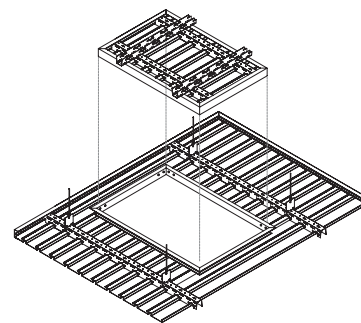
† "S" Service item with minimum order quantities and extended lead times.

\*\* 12" Panel End Cap is for cut panels only. 12" linear panels come with an upturned end.

## Accessory Details



Ceiling System Wall Attachment



Access Door Assembly

## Ceiling System Assembly

### Physical Data

**Material**  
Electrogalvanized Steel – thickness 0.028"

**Surface Finish**  
Available in White, Silver Grey, Gun Metal Grey, and Effects Wood Looks powder-coated, post-production finishes. Panels are finished on both sides for exterior applications. Custom RAL colors also available. Refer to CS-3957 for a sampling of RAL colors. Contact Armstrong Architectural Specialties for custom color requests at 1 877 ARMSTRONG; select options 1-1-4.

**Edge Detail**  
Square with extended flange. To create Contrasts system, flange is covered with 1-1/4" black Filler Strip.

**Fire Performance**  
Factory Mutual Approvals Specification tested per ASTM E84 and CAN/ULC S102. Flame Spread Index 25 or less. Smoke Developed Index 50 or less.

**ASTM E1264 Classification**  
Fire Class – Class A  
Unperforated – Type XX, Pattern G  
Perforated – Type XX, Pattern C

**Seismic Installations**  
MetalWorks Linear has been engineered, tested, and approved for application in all seismic areas.

**Wind Uplift Performance**  
4" and 8" panels tested for wind uplift Classes 30, 60, and 90. Specific installation recommendations to meet these wind classes are available. For more information, contact TechLine at 1 877 ARMSTRONG.

**Warranty**  
One (1) year limited warranty.  
Details: armstrong.com/warranty

**Weight; Square Feet/Carton**  
5490, 5492 – 1.61 lbs/SF; 16 pcs/ctn or 128 LF/ctn;  
43 SF/ctn  
5491, 5493 – 1.61 lbs/SF; 10 pcs/ctn or 80 LF/ctn;  
53 SF/ctn  
5570, 5571 – 1.61 lbs/SF; 6 pcs/ctn or 48 LF/ctn;  
48 SF/ctn