



CEILING | SYSTEMS

WOODWORKS®
Open Cell Vector®



Armstrong®

WOODWORKS® Open Cell

Vector®



The mark of responsible forestry



WoodWorks Open Cell Vector Four Square 2' x 2' panels in Grille Maple with Axiom® Vector trim in Pewter Luster on Prelude® Suspension System in Pewter Luster; ForknSpoon Cafe, Lancaster, PA

Key Selection Attributes

- Enhance space volume with open structure design
- Choose from three standard designs in two sizes and four finishes
- Mix panel sizes for a variety of looks
- California Air Resources Board (CARB) compliant
- Vector edge detail provides safe and secure downward accessibility without tools and narrow reveal visual (1/4")
- Suspension system, trim, and accessories designed and tested to work with Open Cell panels



WoodWorks Open Cell Vector Linear 2' x 2' panels in Grille Maple with Axiom Vector trim in Pewter Luster on Prelude Suspension System in Pewter Luster; ForknSpoon Café, Lancaster, PA

Finish Selection Due to printing limitations, shade may vary from actual product.



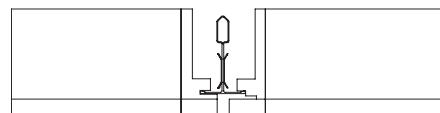
Grille Maple (GMP)

Grille Light Cherry (GLC)

Grille Dark Cherry (GDC)

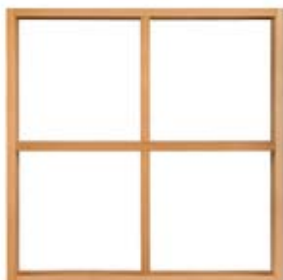
Grille Walnut (GWN)

Panel Detail

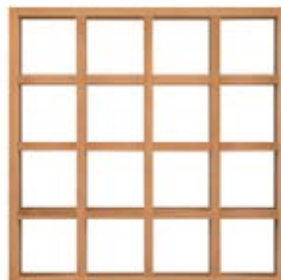


WoodWorks Open Cell Vector Edge Profile

Panel Selection



Item 6622 – Four Square
Available 2' x 2' and 2' x 4'



Item 6623 – Multi-Square
Available 2' x 2' and 2' x 4'

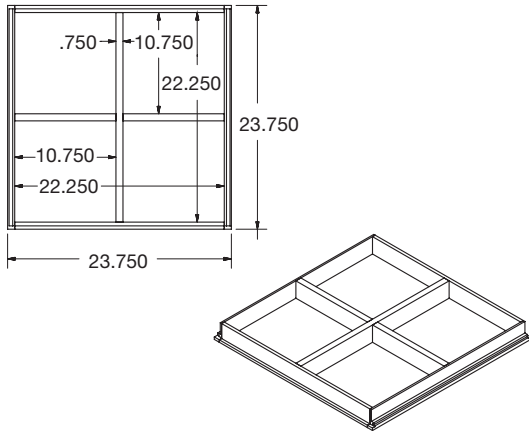


Item 6624 – Linear
Available 2' x 2' only

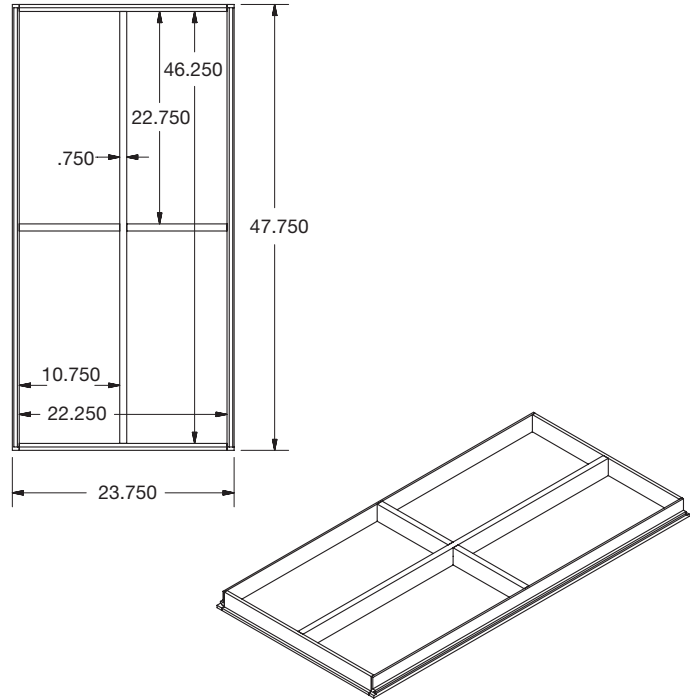
Pictured on cover: WoodWorks Open Cell Vector Linear 2' x 2' panels in Grille Maple with Axiom Vector trim in Pewter Luster on Prelude Suspension System in Pewter Luster; ForknSpoon Café, Lancaster, PA

In addition to these standard options, there are more finish, size, and cell design choices available as custom options. Contact the Armstrong Architectural Specialties project management team for details at 1 877 ARMSTRONG and select prompts 1-1-4.

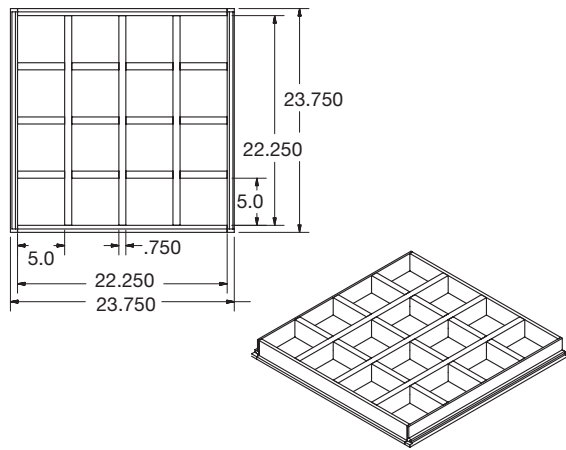
Panel Details



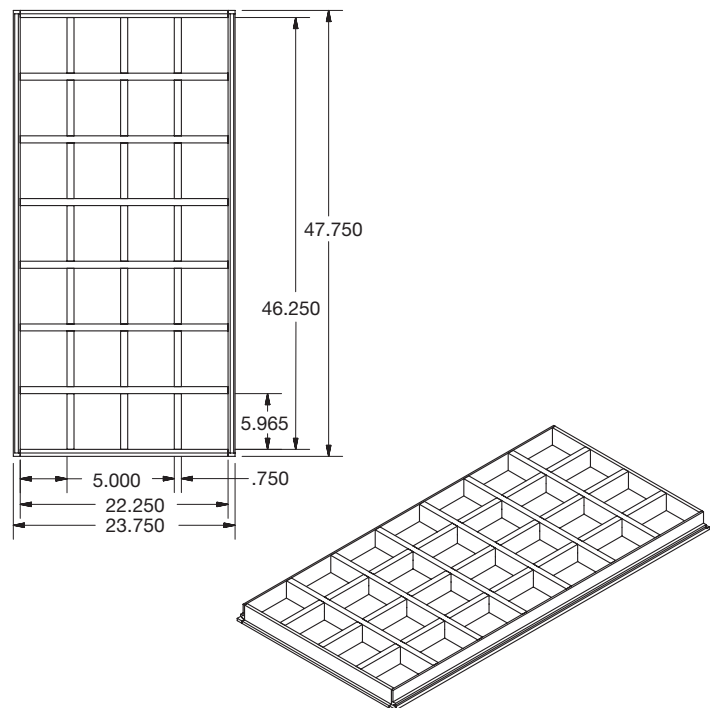
Item 6622 – Four Square 2' x 2'



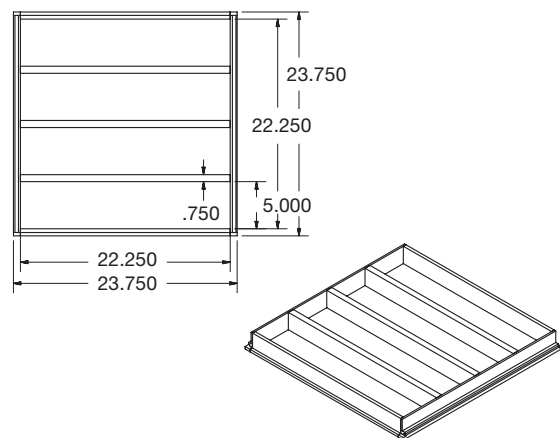
Item 6625 – Four Square 2' x 4'



Item 6623 – Multi-Square 2' x 2'

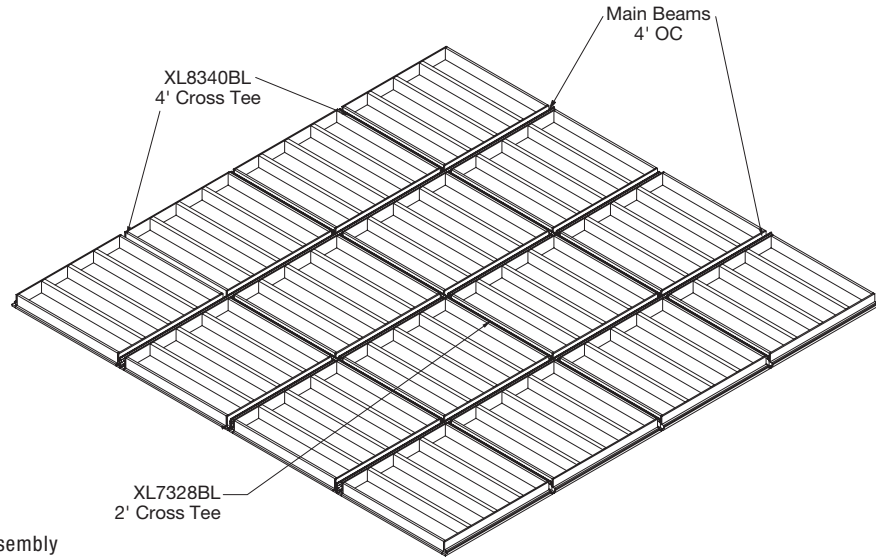


Item 6626 – Multi-Square 2' x 4'



Item 6624 – Linear 2' x 2'

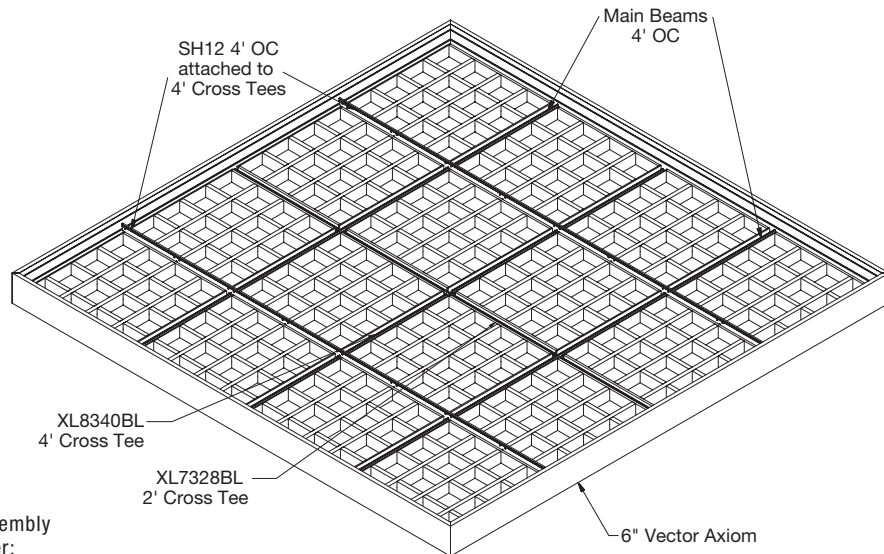
Installation Detail – Continuous System



For a basic **8' x 8'** continuous panel assembly (pictured right), you will need to order:

Item	Pieces
6624 2' x 2' WoodWorks Open Cell Panel	16
XL7301BL Main Beam cut to length	2
XL7328BL 2' Cross Tee	4
XL8340BL 4' Cross Tee	9

Installation Detail – Floating System



For a basic **8' x 8'** floating panel assembly (pictured right), you will need to order:

Item	Pieces
6623 2' x 2' WoodWorks Open Cell Panel	16
XL7301BL Main Beam cut to length	2
SH12 cut to length	2
XL7328BL 2' Cross Tee	2
XL8340BL 4' Cross Tee	3
XL8340BL 4' Cross Tee cut to length (perimeter)	8
6" Vector Axiom cut to length	4
AXTBC	12



Before: Plaster ceiling

After: WoodWorks Open Cell Vector Linear 2' x 2' panels in Grille Maple with Axiom Vector trim in Pewter Luster on Prelude® Suspension System in Pewter Luster

Case Study

Project: ForknSpoon Café

Location: Lancaster, PA

Product: WoodWorks® Open Cell Vector® Ceilings

The Challenge: Transform a worn-out pizza parlor with uneven plaster ceilings into a cozy, trendy organic cafe.

Solution: To warm up the plain plaster ceilings, co-owners Jennifer Thompson and Beth Gallic partnered with Armstrong® Ceilings to install WoodWorks Open Cell Vector ceilings. Maple Four Square panels were installed in the serving area and Maple Linear panels were installed in the dining area. The solid wood panels gave the space a cozy feel while the Axiom® Vector trim in Pewter Luster added a modern edge.



Before



After

Before: Plaster ceiling

After: WoodWorks Open Cell Vector Four Square 2' x 2' panels in Grille Maple with Axiom Vector trim in Pewter Luster on Prelude Suspension System in Pewter Luster

WOODWORKS® Open Cell Vector®

LEED® Credits

Energy	Waste Mgmt	Recycled Content	Local Materials	Renewable Materials	Daylight & Views
			✓	✓	
Location Dependent					

LEED for Schools

Acoustics	Low Emitting or CHPS
✓	


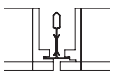



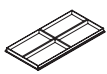

Finishes

Grille Maple (GMP)	Grille Dark Cherry (GDC)
Grille Light Cherry (GLC)	Grille Walnut (GWN)

Visual Selection

Acoustical Performance

Dots represent highest level of performance.

Edge Profile	Item Number ♦	Description	Dimensions Nominal W x L x H		% Open Area	Acoustics NRC* 
	WOODWORKS Open Cell – Vector					
	6622_ _ _	Four Square with 12" Cells	2' x 2' x 2-1/4"		80%	0.85 •
	6623_ _ _	Multi-Square with 6" Cells	2' x 2' x 2-1/4"		69%	0.85 •
	6624_ _ _	Linear with 6" Cells	2' x 2' x 2-1/4"		77%	0.85 •
	6625_ _ _	Four Square with 12" Cells	2' x 4' x 2-1/4"		85%	0.85 •
	6626_ _ _	Multi-Square with 6" Cells	2' x 4' x 2-1/4"		72%	0.85 •

♦ When specifying or ordering, please include the appropriate color suffix (e.g., 6622 GMP).

* NRC 0.85 with acoustical infill item 5823.

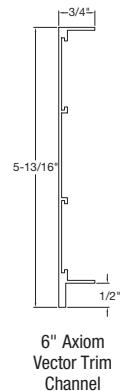
NOTE: For additional color and size options available as special order, call Architectural Specialties at 1 877 ARMSTRONG and select options 1-1-4.

Suspension System

15/16" Prelude® XL® (Black recommended)

Accessories

Item Number	Description	Dimensions Nominal W x L x H	Color	Pieces/Carton
SH12	Support Hanger	12' x 2"	N/A	12
AX6VESTRBL	6" Axiom® Vector	120 x 3/4 x 6"	Black (BL)	N/A
AX6VEQISBBL	6" Inside Corner Post	3/4 x 3/4 x 6"	Black (BL)	N/A
AX6VEQSCPBL	6" Outside Corner Post	3/4 x 3/4 x 6"	Black (BL)	N/A
AXTBC	T-Bar Connector Clip	N/A	N/A	N/A
7891	12 Gauge Soft Hanger Wire	12' Length	N/A	140
5823	BioAcoustic™ Infill Panel	2' x 2' x 5/8"	Black (Matte)	10
CHDC	Clear Hold Down Clip	N/A	Clear	50



Physical Data

Material

Solid Poplar (yellow or hybrid) (SW-COC-003601)

Surface Finish

Clear or tinted semigloss coating

Fire Performance

Solid Poplar Hardwood – ASTM E84 surface burning characteristics. Flame Spread Index 200 or less. Smoke Developed Index 450 or less.

Class A intumescent treatment is available.

WoodWorks Open Cell, as with other architectural features located at the ceiling, may obstruct or skew the planned fire sprinkler water distribution pattern, or possibly delay or accelerate the activation of the sprinkler or fire detection systems by channeling heat from a fire either toward or away from the device.

Designers and installers are advised to consult a fire protection engineer, NFPA 13, and local codes for guidance where automatic fire detection and suppression systems are present. For more information, visit armstrong.com/woodworks

Seismic Restraint

WoodWorks Open Cell has been engineered, tested, and approved in all seismic areas.

Application Considerations

Variation among panels may occur due to the natural characteristics of the wood and grain.

Design Considerations

It is very important that WoodWorks panels are climatized prior to installation. Relative humidity between 25% and 55% and temperatures between 50°F and 86°F must be maintained. Exposed, unpainted back of Axiom may be visible when using higher trims.

Installation Consideration

Do not cut panels.

Warranty

One (1) year limited warranty. Details: armstrong.com/warranty

Weight; Square Feet/Carton

Bulk Packaged

6623, 6626 – 1.0 lbs/SF

6624 – 0.625 lbs/SF

6622, 6625 – 0.5 lbs/SF