

METALWORKS™ Concealed



MetalWorks Concealed 48" x 96" panels in Silver Grey

Key Selection Attributes

- Large size panels for a clean, monolithic look
- Narrow 1/4" reveal
- Hook-on panels provide safe and secure downward accessibility
- Create continuous look or clouds using perimeter trim
- Lightweight panels install on standard 15/16" suspension system
- Seismic approved
- Complete standard system from one manufacturer



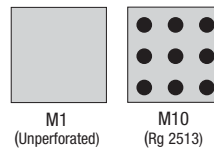
Inset: MetalWorks Concealed 48" x 96" panels in Silver Grey

Color Selection

Due to printing limitations, shade may vary from actual product.



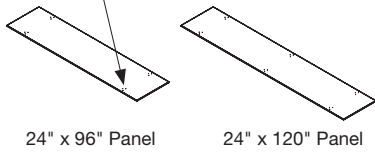
Perforation Options



How to Install Panels

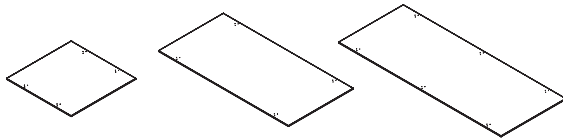
Step 1: Select Panel Size

Pre-drilled holes for T-Bar Hooks



24" x 96" Panel

24" x 120" Panel

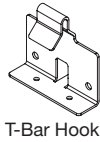


48" x 48" Panel

48" x 96" Panel

48" x 120" Panel

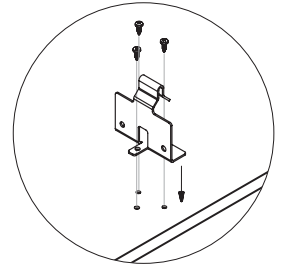
Step 2: Order T-Bar Hooks and Screws Based on Panel Size



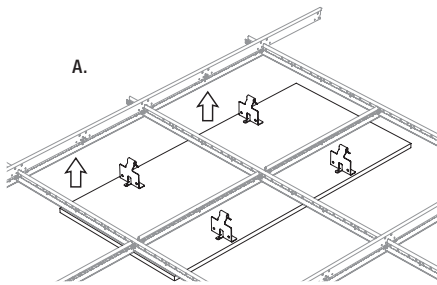
T-Bar Hook

Panel Size	Number of Hooks Needed	Number of Screws Needed*
24" x 96"	4	12
24" x 120"	6	18
48" x 48"	4	12
48" x 96"	4	12
48" x 120"	6	18
*3 screws per hook		

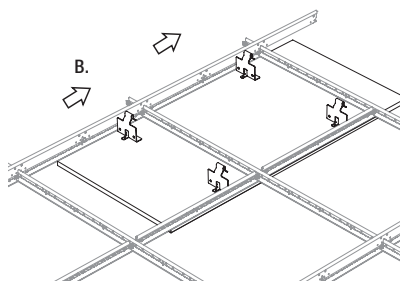
Step 3: Install Hooks on Panels



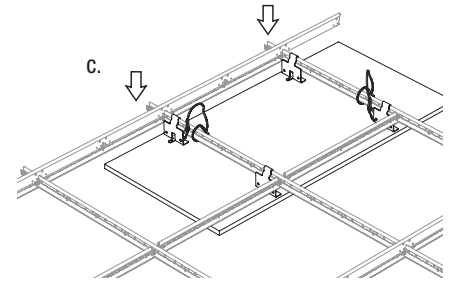
Step 4: Install Panels and Safety Cables



A.

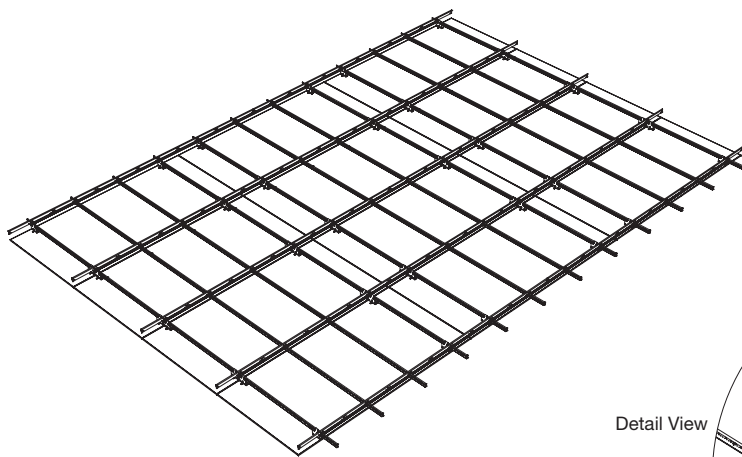


B.



C.

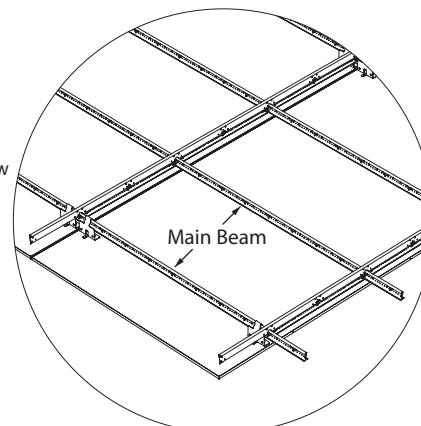
How to Assemble Basic Systems



For a basic **48" x 96"** panel assembly, you will need to order:

Item	Pieces
5985W1 – 48" x 96" Unperforated Panel	12
5986 – T-Bar Hooks	48 (4 per Panel)
HD Main Beams	12
4' Cross Tees	25
SH12 Support Hanger	6

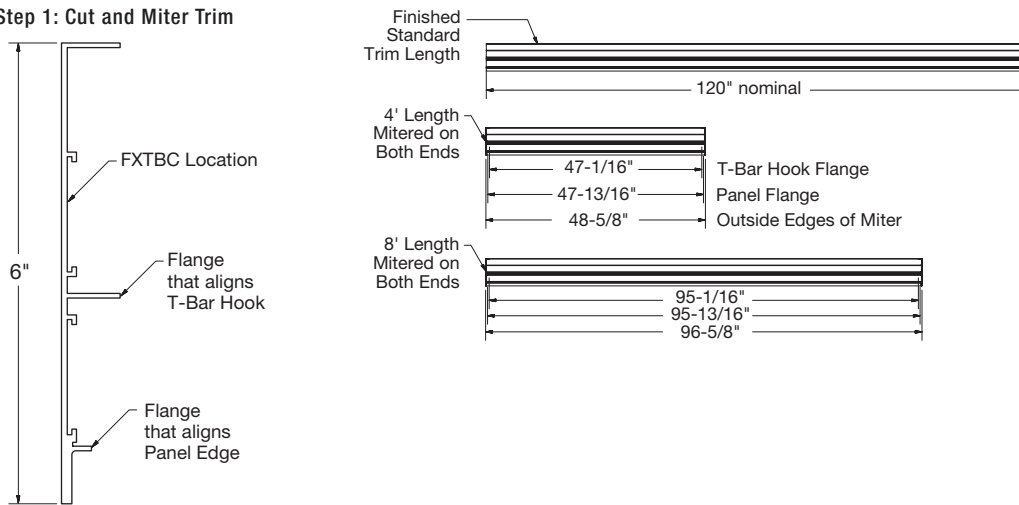
Detail View



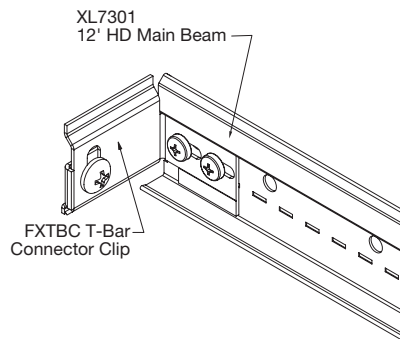
Main Beam

How to Install Trim

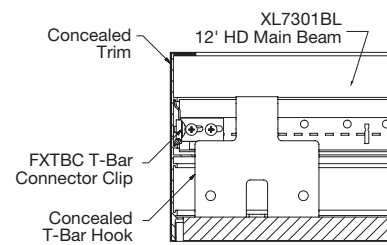
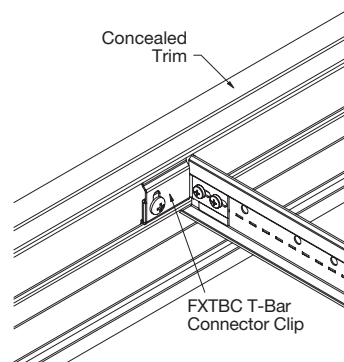
Step 1: Cut and Miter Trim



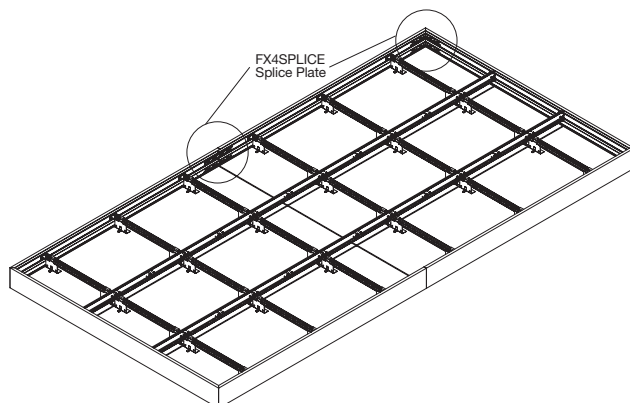
Step 2: Attach Clips to Ends of Main Beams and Cross Tees



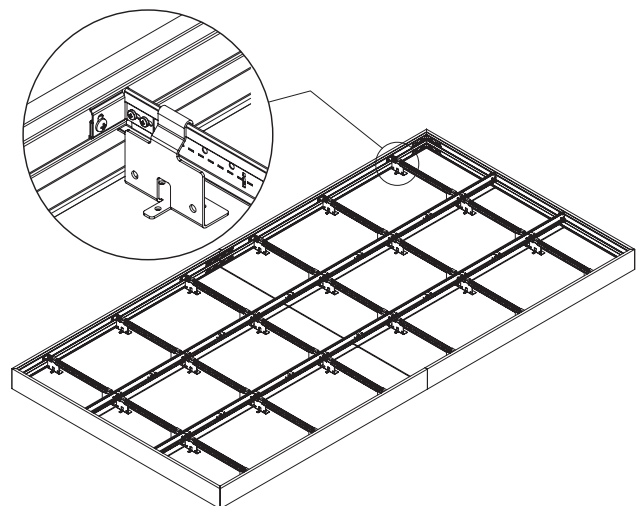
Step 3: Attach Trim to Clips



Step 4: Install Splice Plates



Step 5: Install Panels



METALWORKS™ Concealed

Recycled Content: 85%

armstrong.com/greengenie

LEED® Credits

Energy	Waste Mgmt	Recycled Content	Local Materials	Renewable Materials	Daylight & Views
✓	✓	✓			✓

Location Dependent

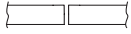
LEED for Schools

Acoustics	Low Emitting or CHPS
✓	✓

Colors and Perforations

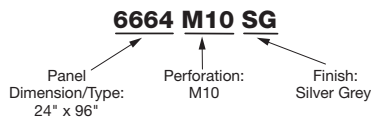
White (WH)	M1 (Unperforated)
Silver Grey (SG)	M10 (Rq 2513)
Gun Metal Grey (MY)	

Visual Selection

Edge Profile	Item Number*	Dimensions Nominal W x L x H Inches
METALWORKS Concealed		
1/4" Reveal 	6664_ _ _ _	24 x 96 x 5/8"
	6665_ _ _ _	24 x 120 x 5/8"
	6666_ _ _ _	48 x 48 x 5/8"
	6667_ _ _ _	48 x 96 x 5/8"
	6668_ _ _ _	48 x 120 x 5/8"

* When specifying or ordering, include the appropriate perforation and color suffixes with the item number.

ITEM NUMBER EXAMPLE:



Suspension Systems

Prelude® XL® 15/16" Heavy-duty

Item Number	Description	Dimensions (Inches)	Pieces/Carton
5986	T-Bar Hook [†]	Nominal 4 x 2 x 3"	50
90190A242	#10 Pan Head Sheet Metal Screw	1/2"	100
6091	Safety Cable	24 x 3/32"	50
SH12	Support Hanger	144 x 2"	12

[†] For 24" x 96", 48" x 48", and 48" x 96" panels, install 4 hooks per panel; for 24" x 120" and 48" x 120" panels, install 6 hooks per panel.

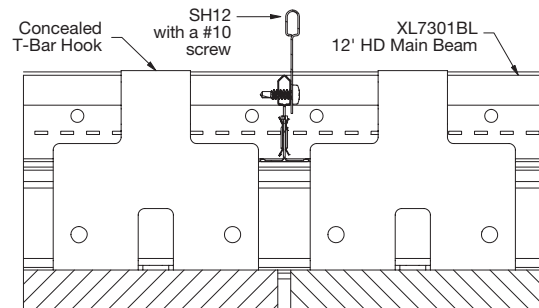
NOTE: Refer to installation instructions at armstrong.com/installation for a better understanding of suspension requirements.

Acoustical Performance

Dots represent high level of acoustical performance

Perforation	NRC**
M1	0.10
M10	0.80 0.95**

** Maximum NRC achieved with bioacoustic infill (item 5479).
NRC 0.90 with optional fiberglass infill item 200100.



Installation Detail - Concealed Ceiling System

Accessories

Item Number	Description	Dimensions Nominal (Inches)	Color	Pieces/Carton
6656M1_ _ *	MetalWorks Concealed Trim**	6 x 120"	Standard Colors (see above)	6
7842A_ _ *	Slip-on Molding	1/2 x 120 x 5/8"	Standard Colors (see above)	40
FXTBC	T-Bar Connector Clip	N/A	N/A	10
FX4SPLICE	Splice Plate with Setscrews	N/A	N/A	10
8200100	Fiberglass Infill Panel	24 x 24 x 1"	Black	12
5479	BioAcoustic™ Infill Panel	24 x 24 x 5/8"	Beige	12

* When specifying or ordering, include the two-letter color suffix that coordinates with your MetalWorks ceiling (6656 WI W H)

** Trim cartons include FXTBC Clips and FX4SPLICE Plates.

Physical Data

Material

Aluminum composite – 0.57" thick

Surface Finish

Factory-applied powder-coated finish (post-coated)

Fire Performance

ASTM E84 surface burning characteristics. Flame Spread Index 25 or less. Smoke Developed 50 or less.

Seismic

MetalWorks Concealed has been engineered, tested, and approved for application in all seismic areas.

Acoustical Performance

MetalWorks Concealed perforated panels provide outstanding acoustical performance (NRC 0.80 – 0.95). NRC 0.95 is achieved with acoustical infill item 5479. See BPCS-4172 Acoustical Infill Panels data page for more information on infill panels.

Installation Considerations

Please refer to installation instructions BPLA-297890 before installing MetalWorks Concealed.

Warranty

Warranty details at armstrong.com/warranty

Weight

0.97 lbs/SF (Bulk packaged)